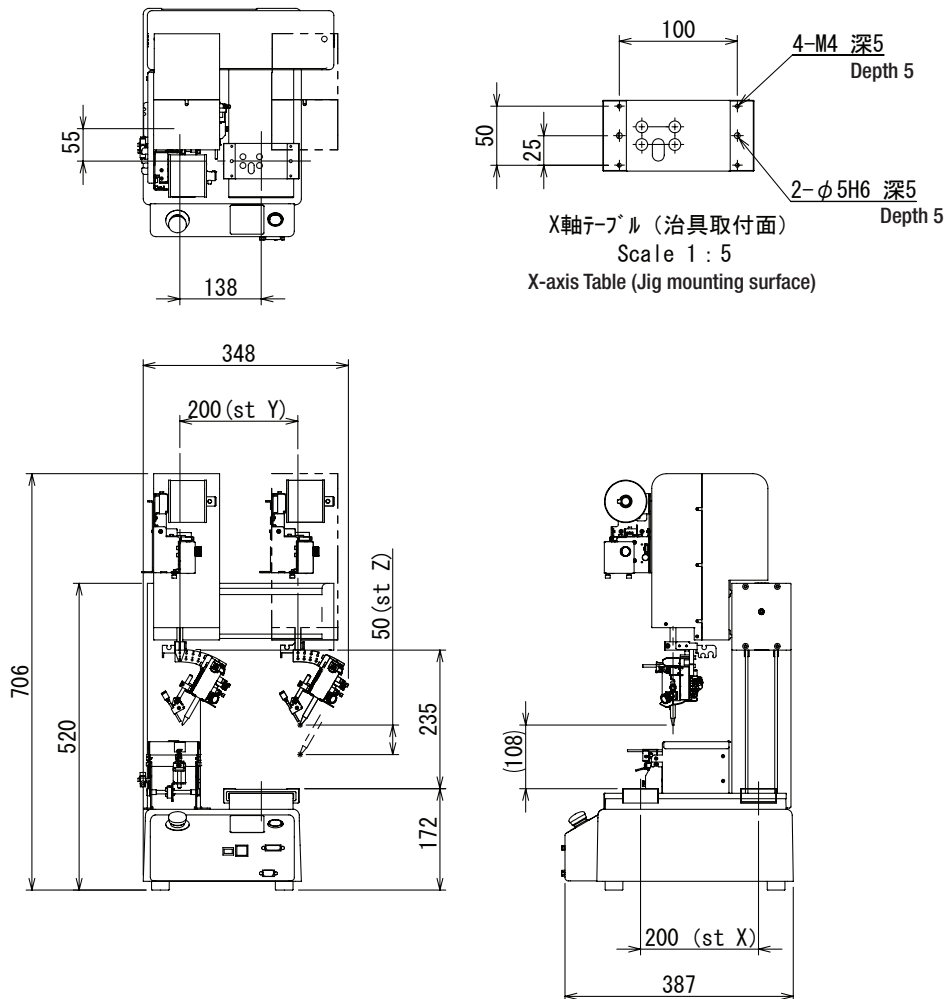
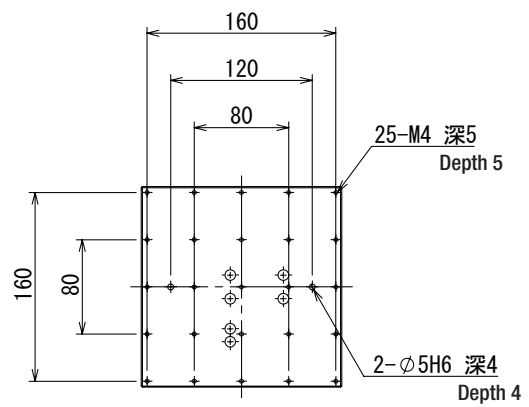
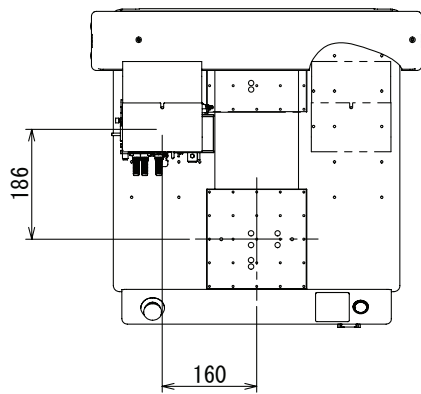


# Soldering System FA-1100 Series JANOME 4-axis Robot External Specifications

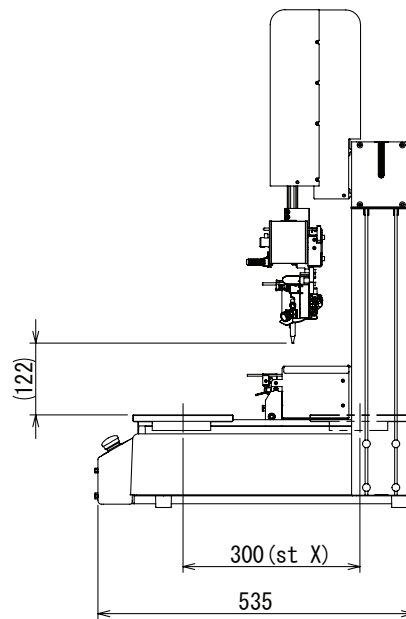
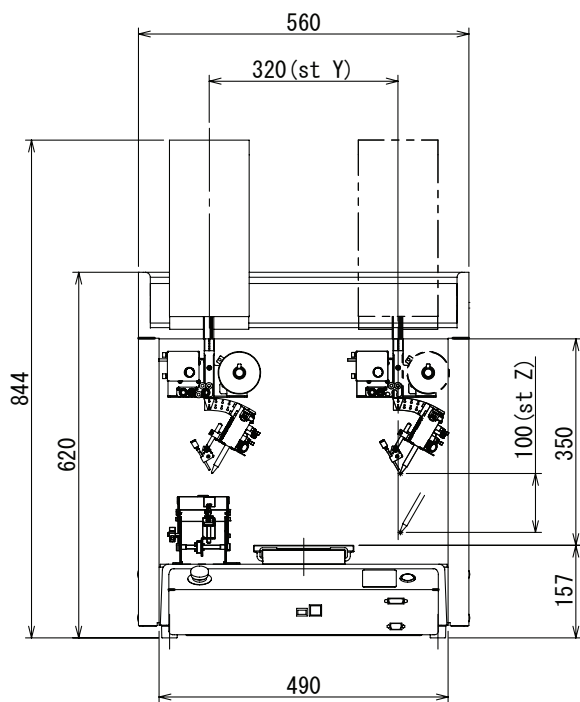
## FA-3204A



# FA-3304A

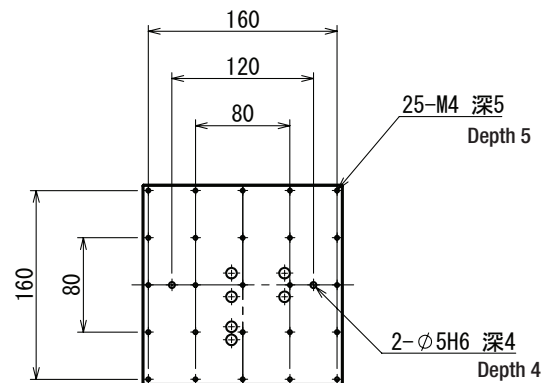
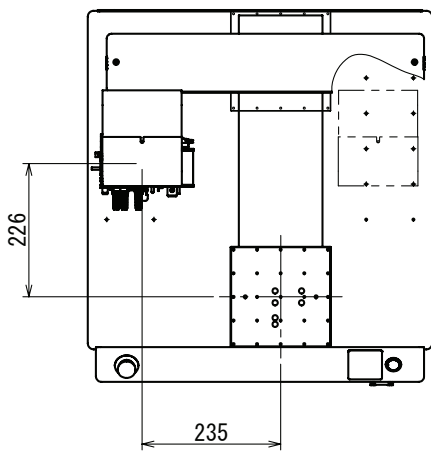


X軸テーブル(治具取付面)  
Scale 1:5  
X-axis Table (Jig mounting surface)

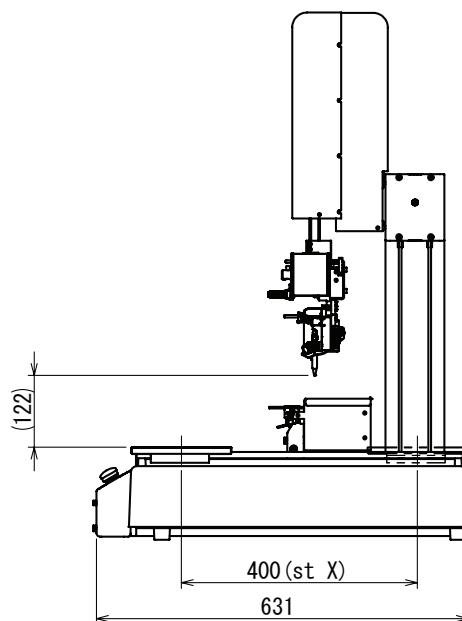
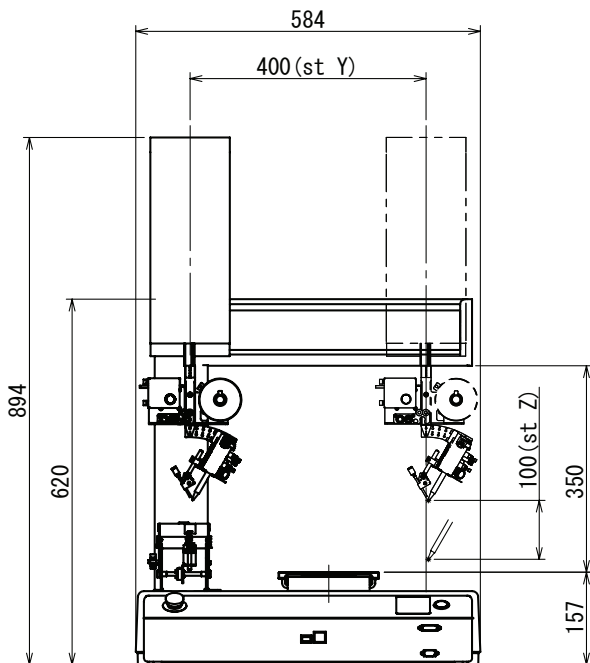


# Soldering System FA-1100 Series JANOME 4-axis Robot External Specifications

## FA-3404A



X軸テーブル(治具取付面)  
Scale 1:5  
X-axis Table (Jig mounting surface)



# FA-3504A

